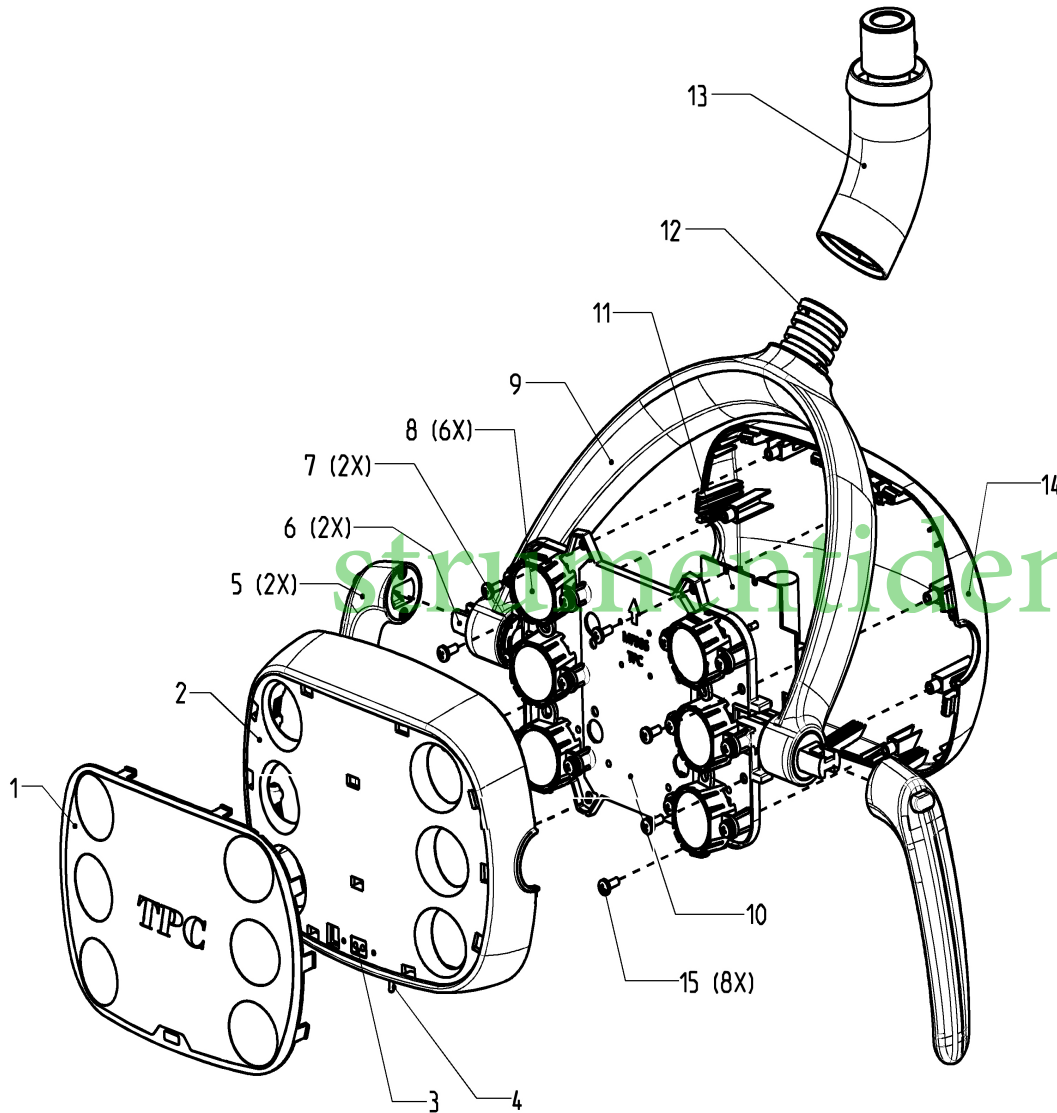




L550 LED Light head Parts List



No.	Description	Part Number
1	Slash Shield	L570-LLH-RP1
2	Front Cover	L570-LLH-RP2
3	Motion Sensor	L570-LLH-RP3
4	Toggle Switch	L570-LLH-RP4
5	Handle	L570-LLH-RP5
6	Handle Mount	L570-LLH-RP6
7	C-Clip	L570-LLH-RP7
8	LED	L570-LLH-RP8
9	Yoke trim	L570-LLH-RP9
10	Mounting plate	L570-LLH-RP10
11	PCB Board	L570-LLH-RP11
12	Yoke	L570-LLH-RP12
13	Swivel tri axis	L570-LLH-RP13
14	Back Cover	L570-LLH-RP14
15	Screw	L570-LLH-RP15